

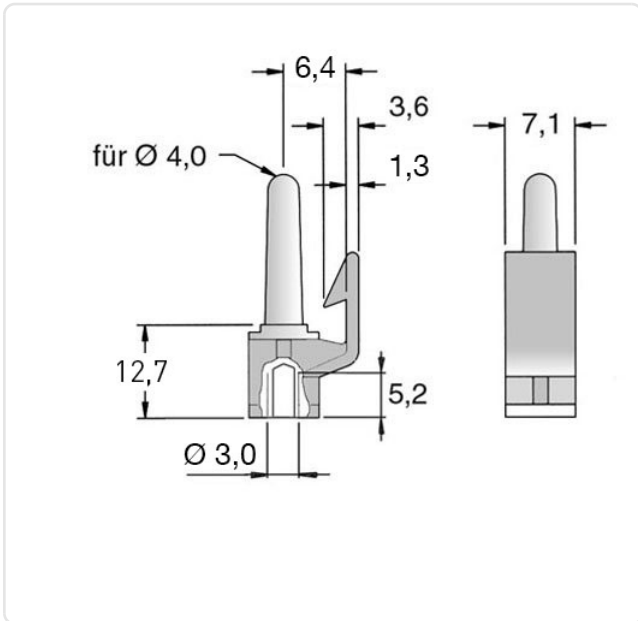
Article datasheet

PCB Support 12.7 | \varnothing 4.0 Polyamide 6.6 natural

Article-No.: 006.07.136



Image may be similar



Color: Natural
Flammability Class: UL94-V2
Length [mm]: 12.7
Material: PA 6.6 UL94 V-2 E 70062 / RMS01
PCB Hole \varnothing [mm]: 4
PCB Thickness [mm]: 1,6
Panel Hole \varnothing [mm]: 3
Panel Thickness [mm]: 0
Weight: 0.68g
Conformities:



You can find all
information on the web on
our article detail page

Would you like individual advice?
We look forward to your email to products@ettinger.de.

Subject to change and errors.