

Article datasheet

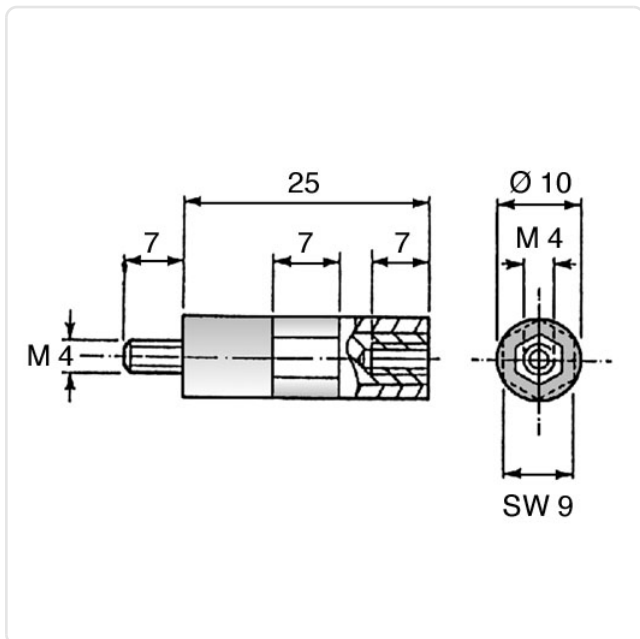
**Insulated Standoff PBS-Steel M/F AF9x25 | F=M4x7 M=M4x7**

Article-No.: 005.35.425



Image may be similar

AF / OD [mm]:	9
Female Thread Length [mm]:	7
Female Thread Size:	M4
Flammability Class:	UL94-HB
Length [mm]:	25
Male Thread Length [mm]:	7
Male Thread Size:	M4
Material:	PS - Polystyrene
Material Group:	Plastic
Profile:	Hexagonal
Thread Insert Material:	Steel
Weight:	4.05g
Conformities:	



You can find all information on the web on our article detail page

Would you like individual advice?  
We look forward to your email to [products@ettinger.de](mailto:products@ettinger.de).

Subject to change and errors.