

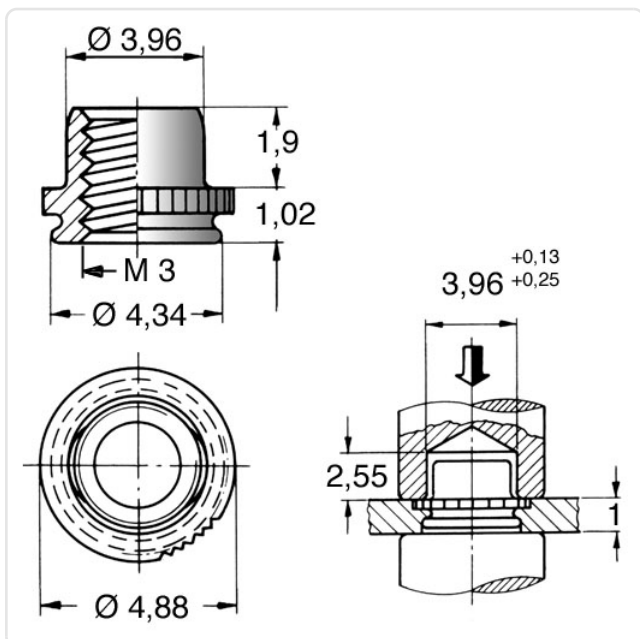
Article datasheet

## Self-Clinching Nut M3 | 1.0 A2 Stainless Steel Passivated

Article-No.: 002.66.319



Image may be similar



Area of Application:	For Metallic Materials
Finish:	Passivated, Clear
Height [mm]:	1.9
Material:	Stainless Steel A2 / AISI 304
Material Group:	Stainless Steel
Minimum Edge Distance [mm]:	3.6
Outer Diameter [mm]:	4.88
Panel Hole Ø [mm]:	4.4
Panel Thickness [mm]:	1
Thread Size:	M3
Weight:	0.14g
Conformities:	



You can find all information on the web on our article detail page

Would you like individual advice?

We look forward to your email to [products@ettinger.de](mailto:products@ettinger.de).

Subject to change and errors.