

Article datasheet

## Flanged Bearing $\varnothing 4/6/9 \times 8$ -2mm Polyamid 6.6 natural

Article-No.: 005.99.046

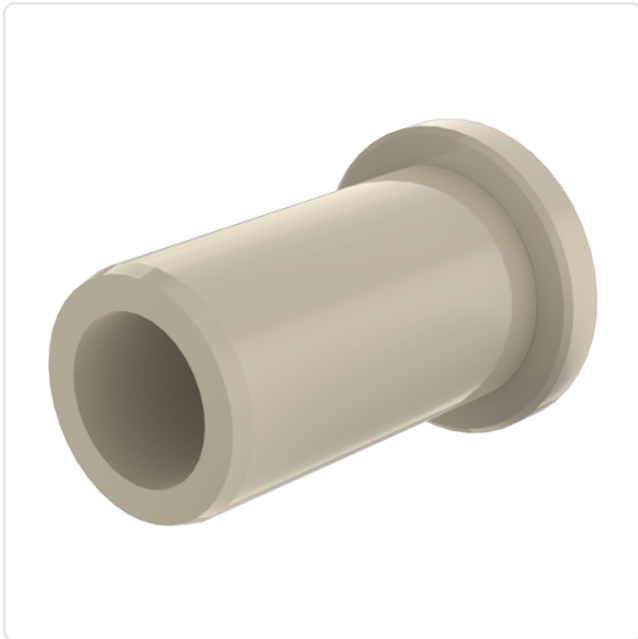


Image may be similar

Color: Natural  
Flammability Class: UL94-V2  
Inner Diameter [mm]: 4  
Length [mm]: 8  
Lug Diameter [mm]: 6  
Material: PA 6.6  
Material Group: Plastic  
Model: With High Lug  
Outer Diameter [mm]: 9  
Weight: 0.21g  
Conformities:



You can find all information on the web on our article detail page

Would you like individual advice?

We look forward to your email to [products@ettinger.de](mailto:products@ettinger.de).

Subject to change and errors.

