

Article datasheet

Straight-Thru Strain Relief Bushing for Flat Cables/Polyamid 6.6 black

Article-No.: 014.04.024

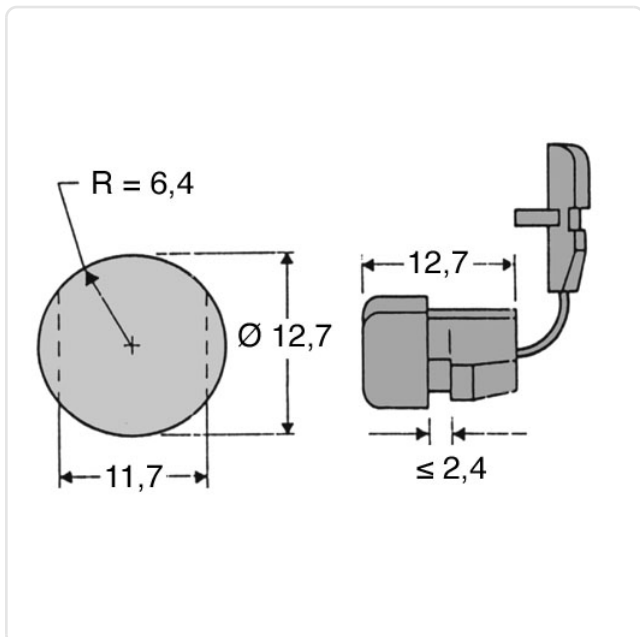


Image may be similar

Cable diameter [mm]:	Ø 4,1-10,4
Color:	Black
Material:	Polyamide 6.6 - UL94 V-2
Material Group:	Kunststoff
Mounting Hole [mm]:	12.7
Panel Thickness Range [mm]:	4.1x8.6
Panel Thickness [mm]:	2,5
Weight:	1.32g
Conformities:	



You can find all information on the web on our article detail page



Would you like individual advice?

We look forward to your email to products@ettinger.de.

Subject to change and errors.