

Article datasheet

## Flat Head Screw ISO7380-1 M3x6 A2 Plain ST STL Torx Button Head

Article-No.: 001.53.322

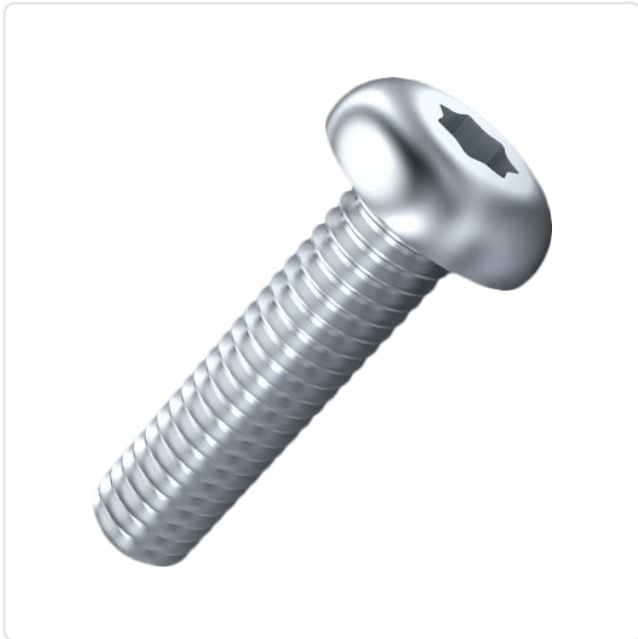
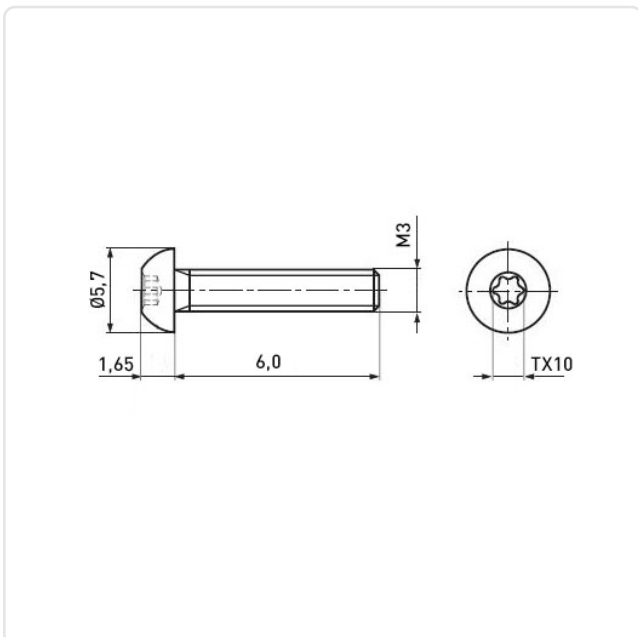


Image may be similar

|                     |                               |
|---------------------|-------------------------------|
| Actuator Size:      | Torx T10                      |
| DIN/ISO:            | ISO7380-1                     |
| Drive Type:         | TORX                          |
| Finish:             | Plain                         |
| Head Diameter [mm]: | 5.7                           |
| Head Height [mm]:   | 1.65                          |
| Head Shape:         | Button Head                   |
| Length [mm]:        | 6                             |
| Material:           | Stainless Steel AISI 304 / A2 |
| Material Group:     | Stainless Steel               |
| Thread Size:        | M3                            |
| Weight:             | 0.53g                         |
| Conformities:       |                               |



You can find all  
information on the web on  
our article detail page

Would you like individual advice?

We look forward to your email to [products@ettinger.de](mailto:products@ettinger.de).

Subject to change and errors.