

Article datasheet

## Tray Handle 110x56mm/0.75-1.5mm ABS black/with 2 spring-clamps

Article-No.: 029.02.800

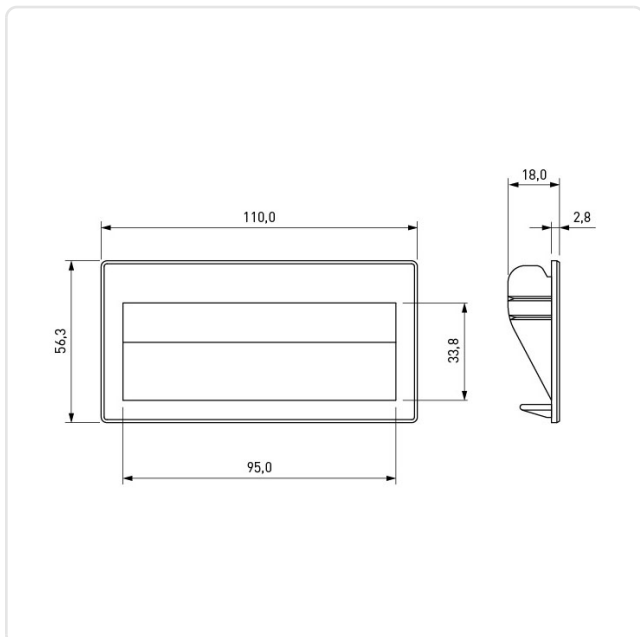


Image may be similar

Color: Black  
Height [mm]: 56.3  
Material: ABS - Acrylnitril-Butadien-Styrol  
Material Group: Plastic  
Model: Tray Handle  
Width [mm]: 110  
Weight: 35.96g  
Conformities:



You can find all  
information on the web on  
our article detail page



Would you like individual advice?

We look forward to your email to [products@ettinger.de](mailto:products@ettinger.de).

Subject to change and errors.