

Article datasheet

Wire Saddle 11.0x19.0mm Polyamide 6.6 white UL94-V2

Article-No.: 072.78.881



Image may be similar

Bundle Diameter [mm]: 10,0-25,0

Color: Natural

Height [mm]: 16.7

Material: PA 6.6

Mounting Hole [mm]: 4.8

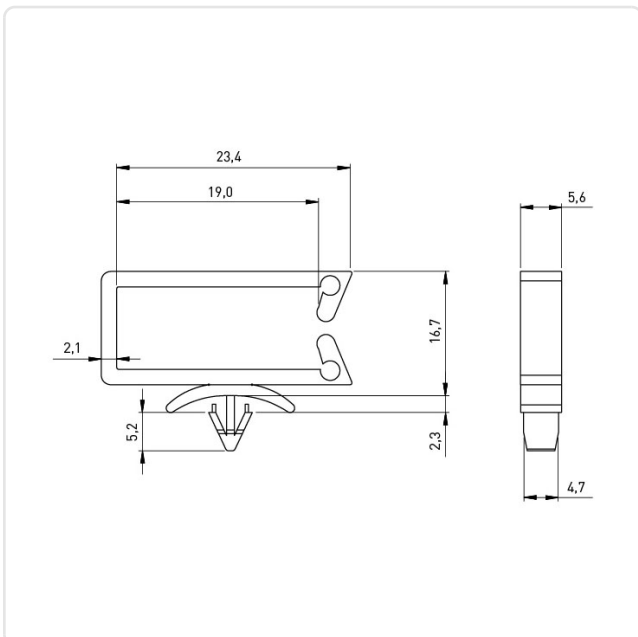
Width [mm]: 25.5

Weight: 1.15g

Conformities:



You can find all
information on the web on
our article detail page



Would you like individual advice?

We look forward to your email to products@ettinger.de.

Subject to change and errors.