

Article datasheet

Hexagonal Screw DIN933/ISO4017 M5x20 Nickel-Plated Brass Hexagon

Article-No.: 001.13.575

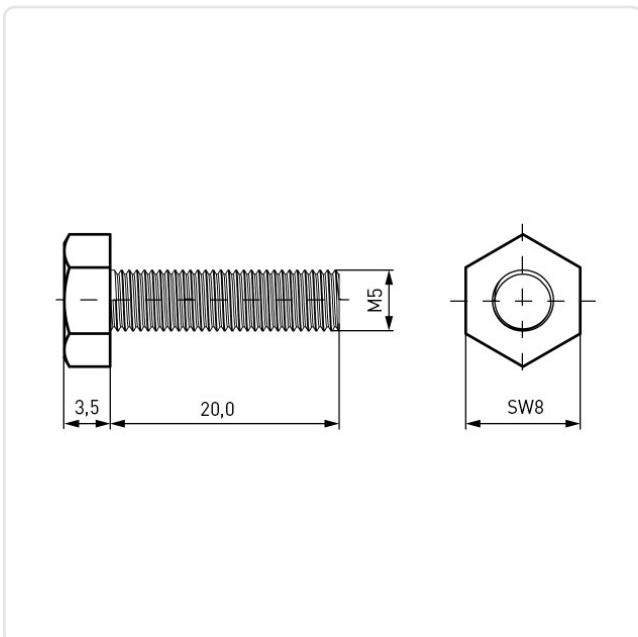


Image may be similar

Actuator Size:	Hexagon Hex8
DIN/ISO:	DIN933 / ISO4017
Drive Type:	Hexagon
Finish:	Nickel-Plated, 3 µm, E1E
Head Diameter [mm]:	8
Head Height [mm]:	3.5
Head Shape:	Hexagon Head
Length [mm]:	20
Material:	Brass CW614N / CuZn39Pb3
Material Group:	Brass
Thread Size:	M5
Conformities:	



You can find all information on the web on our article detail page



Would you like individual advice?

We look forward to your email to products@ettinger.de.

Subject to change and errors.