

Article datasheet

## Flat Head Screw ISO7380-1 M4x12 A4 Plain ST STL Hex Socket Button Head

Article-No.: 001.54.459

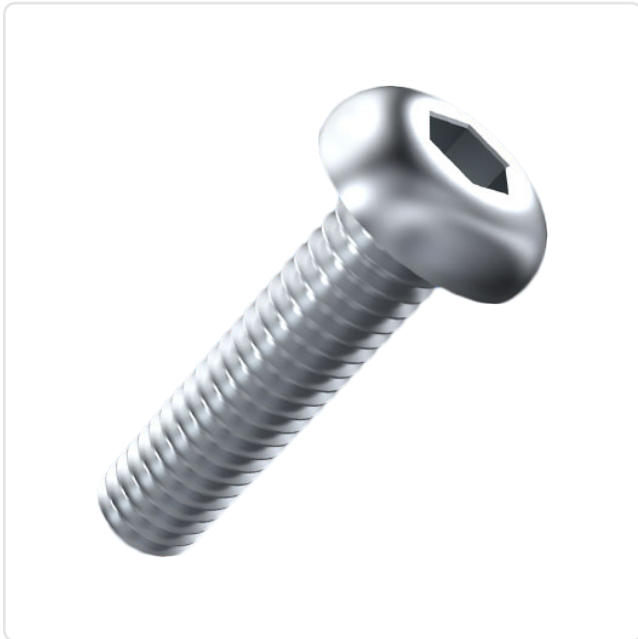
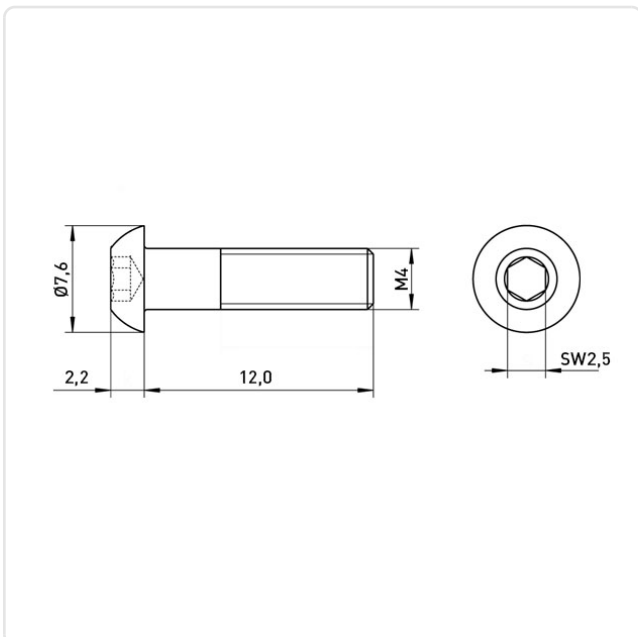


Image may be similar

Actuator Size:	Hexagon Socket Hex2.5
DIN/ISO:	ISO7380-1
Drive Type:	Hexagon Socket
Finish:	Plain
Head Diameter [mm]:	7.6
Head Height [mm]:	2.2
Head Shape:	Button Head
Length [mm]:	12
Material:	Stainless Steel AISI 316 / A4
Material Group:	Stainless Steel
Thread Size:	M4
Weight:	1.33g
Conformities:	



You can find all  
information on the web on  
our article detail page



Would you like individual advice?

We look forward to your email to [products@ettinger.de](mailto:products@ettinger.de).

Subject to change and errors.