

Article datasheet

Lock Nut DIN6926/ISO7043 M8 A4 Plain Stainless Steel

Article-No.: 002.09.448

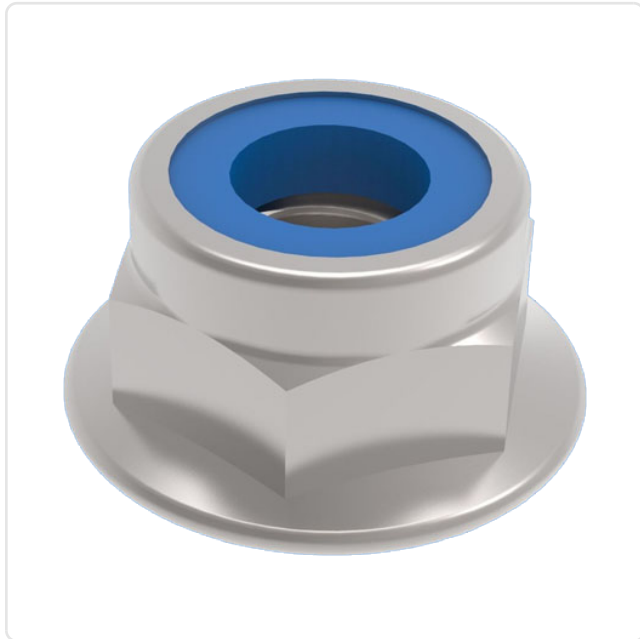
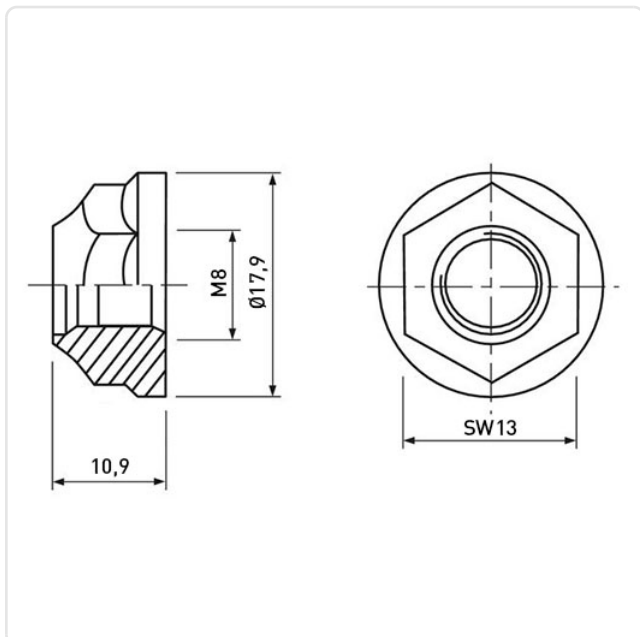


Image may be similar

AF / OD [mm]: 13
DIN/ISO: DIN6926 / ISO7043
Finish: Plain
Height [mm]: 10.8
Material: Stainless Steel A4 / AISI 316
Material Group: Stainless Steel
Thread Size: M8
Weight: 9.2g
Conformities:



You can find all
information on the web on
our article detail page



Would you like individual advice?

We look forward to your email to products@ettinger.de.

Subject to change and errors.