

Article datasheet

Fan Guard, wire form, 120mm - 4 1/2in, 8 rings, black chromate

Article-No.: 059.66.280

Manufacturer: Qualtek

Manufacturer article-no.: 08130-02

Qualtek

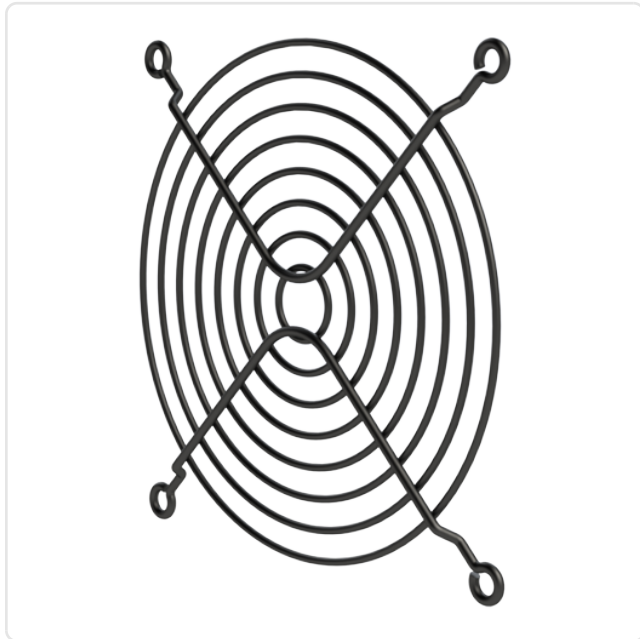


Image may be similar

Finish: Galvanized, Black, 5 µm, A2R

Lüftergröße [mm]: 120

Material: Steel

Material Group: Steel

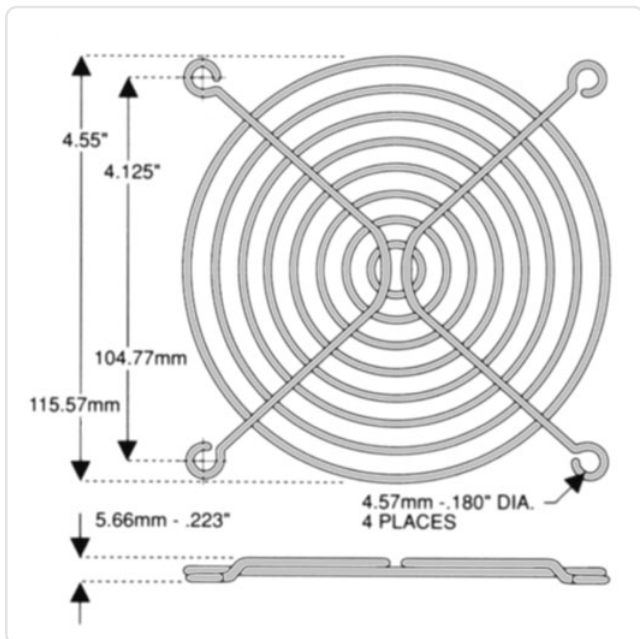
Model: Fan Guard

Weight: 40.65g

Conformities:



You can find all information on the web on our article detail page



Would you like individual advice?

We look forward to your email to products@ettinger.de.

Subject to change and errors.