

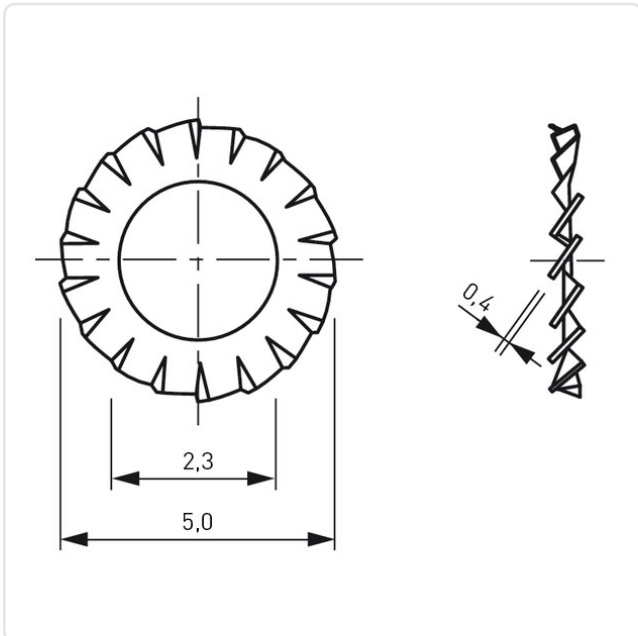
Article datasheet

Serrated Washer DIN6798 A Ø2.3/5.0 x 0.4 Galvanized Spring Steel

Article-No.: 003.54.001



Image may be similar



DIN/ISO:	DIN6798A
Finish:	Galvanized, Blue, 5 µm, A2K
For Thread Size:	M2
Height [mm]:	0.4
Inner Diameter [mm]:	2.3
Material:	Spring Steel
Material Group:	Steel
Outer Diameter [mm]:	5
Weight:	0.04g
Conformities:	  



You can find all information on the web on our article detail page

Would you like individual advice?

We look forward to your email to products@ettinger.de.

Subject to change and errors.