

Article datasheet

Knurled Thumb Screw M4x13 A2 Stainless Steel Vertical Knurl

Article-No.: 001.89.459

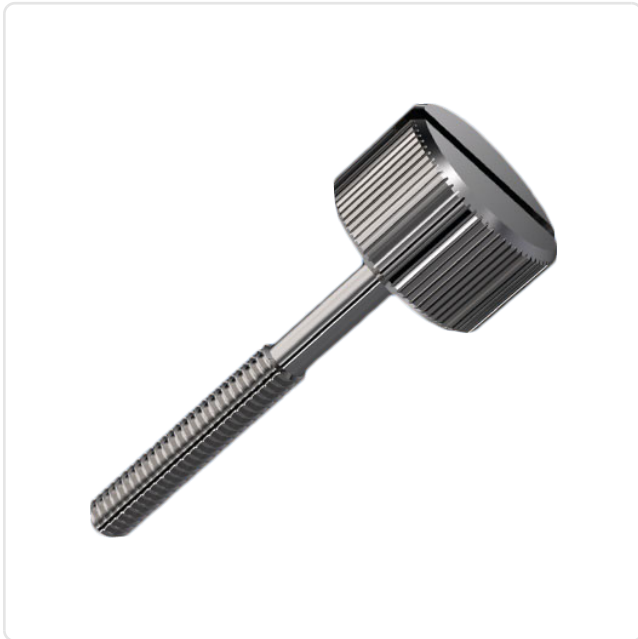
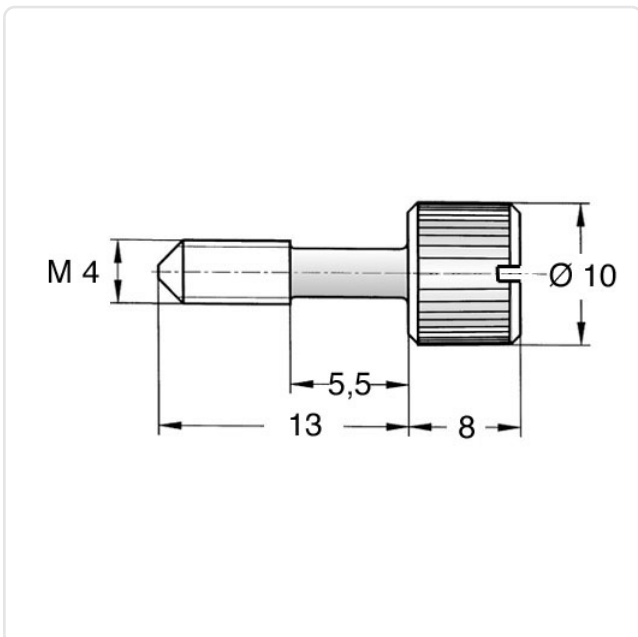


Image may be similar

Drive Type:	Slotted
Finish:	Plain
Head Diameter [mm]:	10
Head Height [mm]:	8
Head Shape:	Cheese Head
Knurling:	Vertical Knurl
Length [mm]:	13
Material:	Stainless Steel AISI 304 / A2
Material Group:	Stainless Steel
Reduced Shank Length [mm]:	5.5
Thread Size:	M4
Conformities:	



You can find all information on the web on our article detail page



Would you like individual advice?

We look forward to your email to products@ettinger.de.

Subject to change and errors.