

Article datasheet

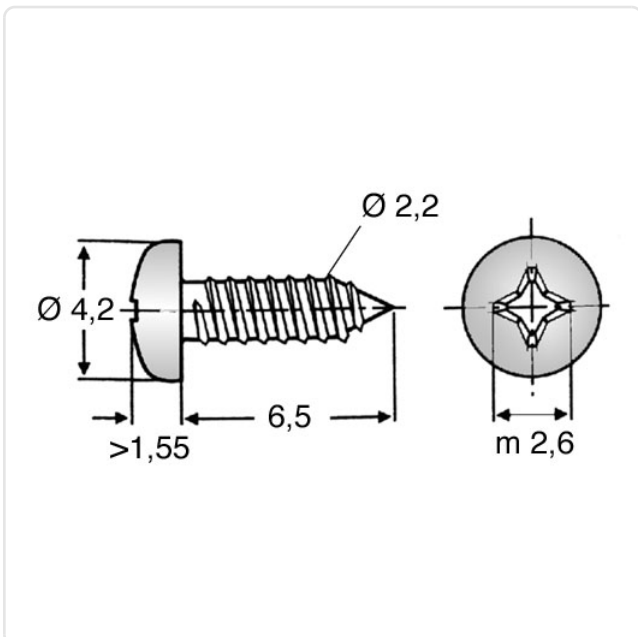
Tapping Screw DIN7981 Ø2.2x6.5 Black Galv. Steel Cross Recess Pan Head

Article-No.: 001.27.020



Image may be similar

| | |
|-----------------------|------------------------------|
| Actuator Size: | Pozidriv PZ1 |
| DIN/ISO: | DIN7981 / ISO7049 |
| Drive Type: | Cross Recess / Pozidriv-Z |
| Finish: | Galvanized, Black, 5 µm, A2R |
| Head Diameter [mm]: | 4.2 |
| Head Height [mm]: | 1.8 |
| Head Shape: | Pan Head |
| Length [mm]: | 6.5 |
| Material: | Steel |
| Material Group: | Steel |
| Thread Diameter [mm]: | Ø 2.2 |
| Weight: | 0.22g |
| Conformities: | |



You can find all
information on the web on
our article detail page

Would you like individual advice?

We look forward to your email to products@ettinger.de.

Subject to change and errors.