

Article datasheet

Standoff Lock Clip $\varnothing 18.4 \times 27.5$ mm Polyamid 6.6 natural UL94-V2 E70062

Article-No.: 072.76.881

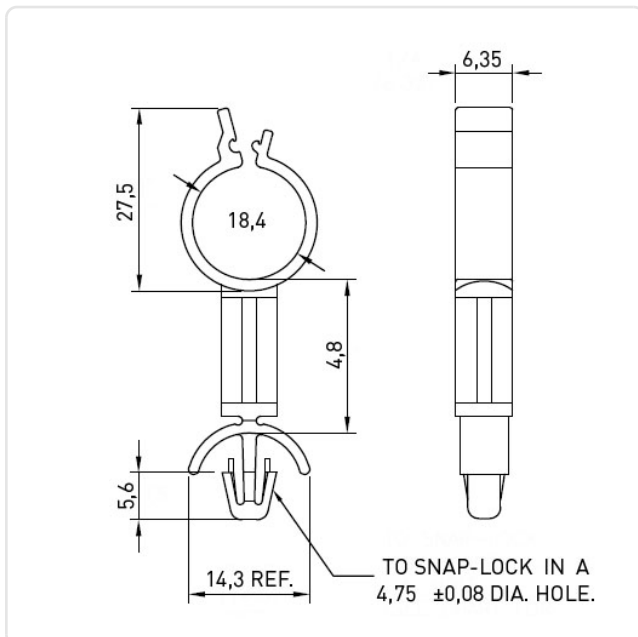


Image may be similar

Bundle Diameter [mm]: 4,0-9,0
Color: Natural
Height [mm]: 32.3
Material: PA 6.6
Mounting Hole [mm]: 4.8
Panel Thickness [mm]: 0,8-2,0mm
Width [mm]: 6.4
Weight: 0.5g
Conformities:



You can find all information on the web on our article detail page



Would you like individual advice?

We look forward to your email to products@ettinger.de.

Subject to change and errors.