

Article datasheet

Card Guide for 1/16"PCB 114.3mm Polyamid 6.6 natural UL94-V2

Article-No.: 075.28.145

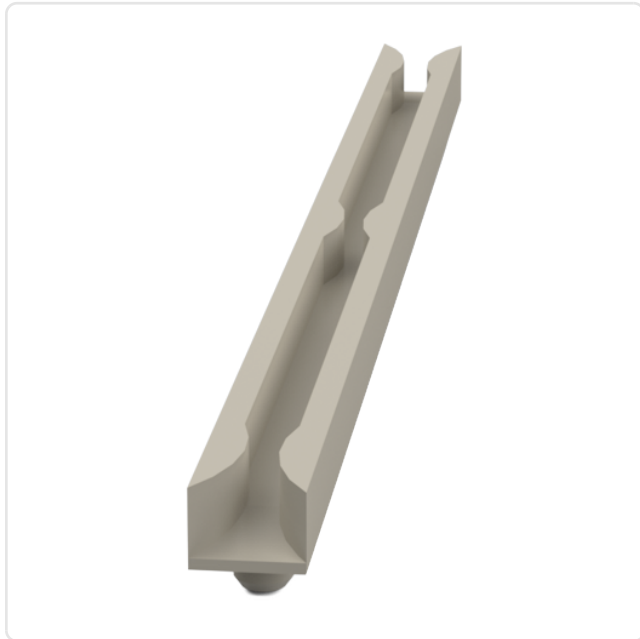
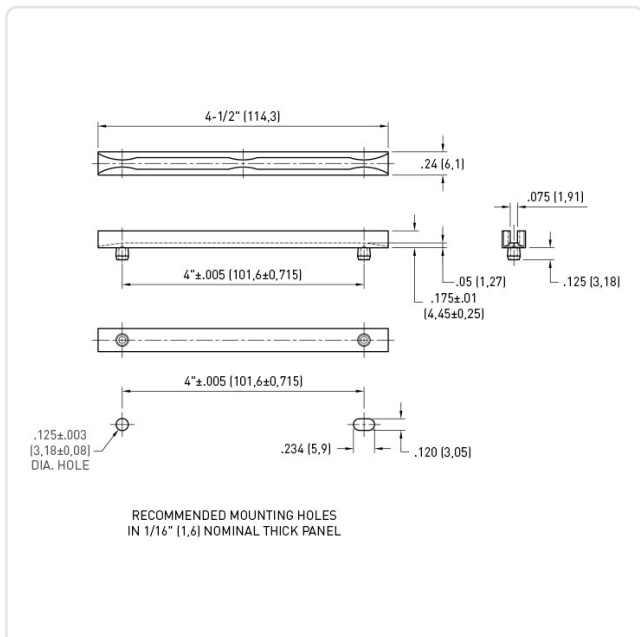


Image may be similar

Color: Natural
 Dist. Mounting Holes [mm]: 101.6
 Flammability Class: UL94-V2
 Length [mm]: 114.3
 Material: PA 6.6
 Material Group: Plastic
 Model: Plug-In Foot
 Width [mm]: 6.1
 Weight: 2.38g
 Conformities:



You can find all information on the web on our article detail page



Would you like individual advice?

We look forward to your email to products@ettinger.de.

Subject to change and errors.