

Article datasheet

Fast-on receptacle 6.3x0.8mm Brass tinned for hole \varnothing 1.3mm

Article-No.: 019.68.071

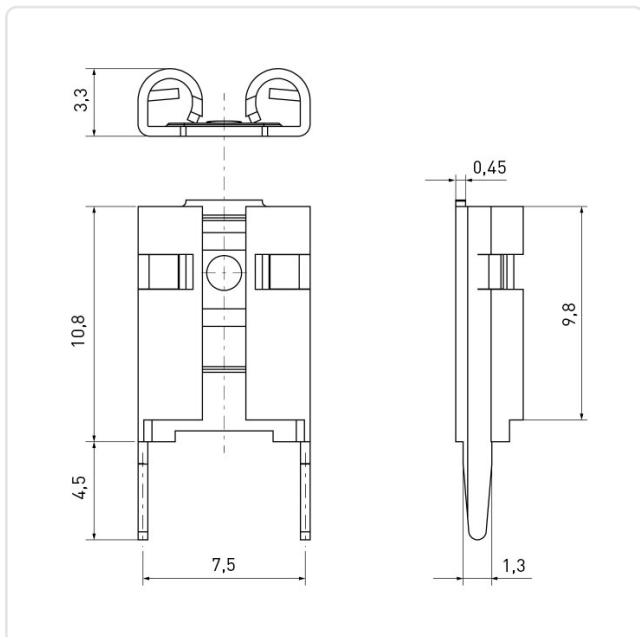


Image may be similar

DIN/ISO: DIN46247
Finish: Tin-Plated
Length [mm]: 10.8
Material: Brass
Material Group: Brass
Size [mm]: 6.3x0.8
Weight: 0.78g
Conformities:



You can find all
information on the web on
our article detail page



Would you like individual advice?

We look forward to your email to products@ettinger.de.

Subject to change and errors.