

Article datasheet

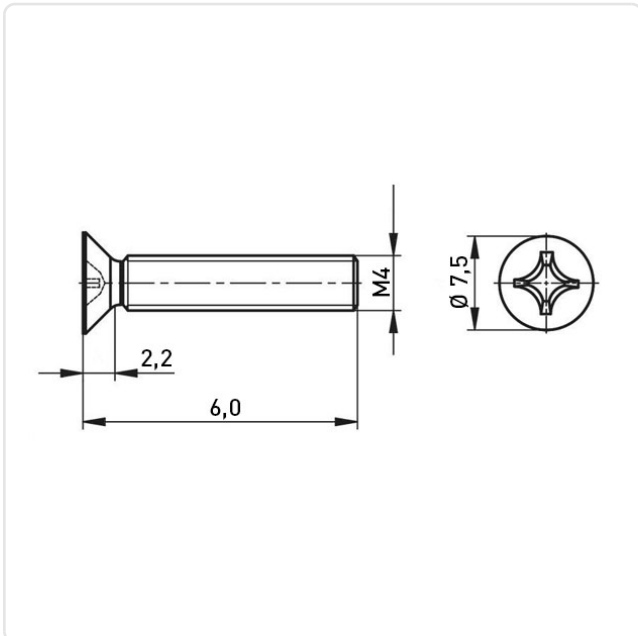
## Countersunk Screw ISO7046 M4x6 Black Galv. Steel 4.8 Cross Recessed

Article-No.: 001.12.420



Image may be similar

|                     |                              |
|---------------------|------------------------------|
| Actuator Size:      | Phillips PH2                 |
| DIN/ISO:            | DIN965 / ISO7046             |
| Drive Type:         | Cross Recess / Phillips-H    |
| Finish:             | Galvanized, Black, 5 µm, A2R |
| Head Diameter [mm]: | 7.5                          |
| Head Height [mm]:   | 2.2                          |
| Head Shape:         | Countersunk Head             |
| Length [mm]:        | 6                            |
| Material:           | Steel 4.8                    |
| Material Group:     | Steel                        |
| Thread Size:        | M4                           |
| Weight:             | 0.66g                        |
| Conformities:       |                              |



You can find all  
information on the web on  
our article detail page

Would you like individual advice?

We look forward to your email to [products@ettinger.de](mailto:products@ettinger.de).

Subject to change and errors.