

Article datasheet

## Countersunk Screw ISO2009 M8x30 Polyamide 6.6 black slotted

Article-No.: 001.46.7100

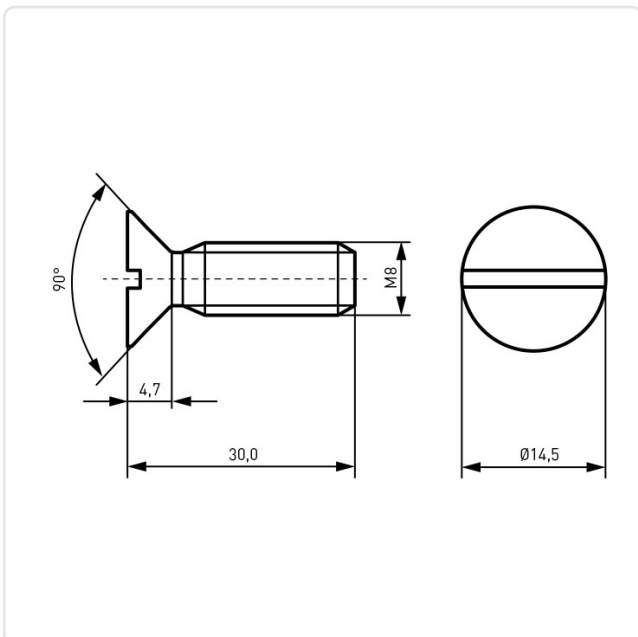


Image may be similar

Color:	Black
DIN/ISO:	DIN963 / ISO2009
Drive Type:	Slotted
Head Diameter [mm]:	14.5
Head Height [mm]:	4.7
Head Shape:	Countersunk Head
Length [mm]:	30
Material:	PA 6.6
Thread Size:	M8
Weight:	2.58g
Conformities:	



You can find all  
information on the web on  
our article detail page



Would you like individual advice?

We look forward to your email to [products@ettinger.de](mailto:products@ettinger.de).

Subject to change and errors.