

Article datasheet

Dowel Pin ISO8734 Ø3x14 Plain Steel

Article-No.: 080.01.0314



Image may be similar

DIN/ISO: DIN6325 / ISO8734

Diameter [mm]: 3

Finish: Plain

Length [mm]: 14

Material: Steel

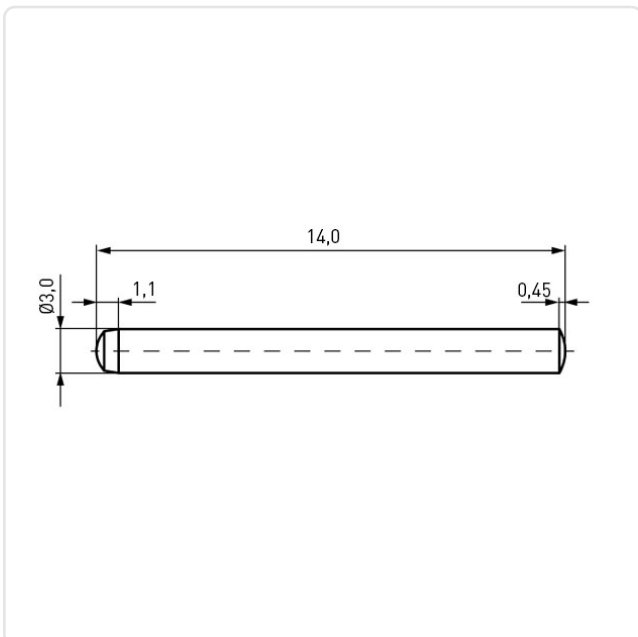
Material Group: Stahl

Weight: 0.76g

Conformities:



You can find all
information on the web on
our article detail page



Would you like individual advice?

We look forward to your email to products@ettinger.de.

Subject to change and errors.